

Power assessment excellence



Learnosity's white-label assessment engine is built for change. Our APIs allow modern learning platforms to meet learners' ever-evolving needs.

1 hour
to start authoring

1 week
to proof-of-concept

3-5 months
to product go live

// The implementation was quick, our content team found it easy to use, and our engineers never had to worry about uptime or response times.

- Chris Glick, Head of Product at Shmoop



Why Learnosity?

The brightest minds in assessment technology have spent over 700,000 hours (and counting!) developing products that ensure you...

Get to market faster

Our pre-built APIs offer game-changing economic value.

Supercharge capacity

Achieve assessment excellence with unmatched capabilities.

Never get left behind

We ship 1000+ features and product enhancements per year.

What's under the hood?

The Learnosity Assessment Engine powers innovation for leading learning products worldwide. Here's what assessment excellence looks like.

Simplified authoring

Liberate content creators with easy-to-use authoring tools that boost productivity and improve content quality.

Actionable insights

Dig into the details to make data-powered improvements to content, product, and instruction.

Compatibility

Always meet learners where they are with seamless delivery across browsers and device types.

Hyperscalability

Learnosity gives you worry-free burst capacity to serve millions of users per day with total confidence.

Question experiences

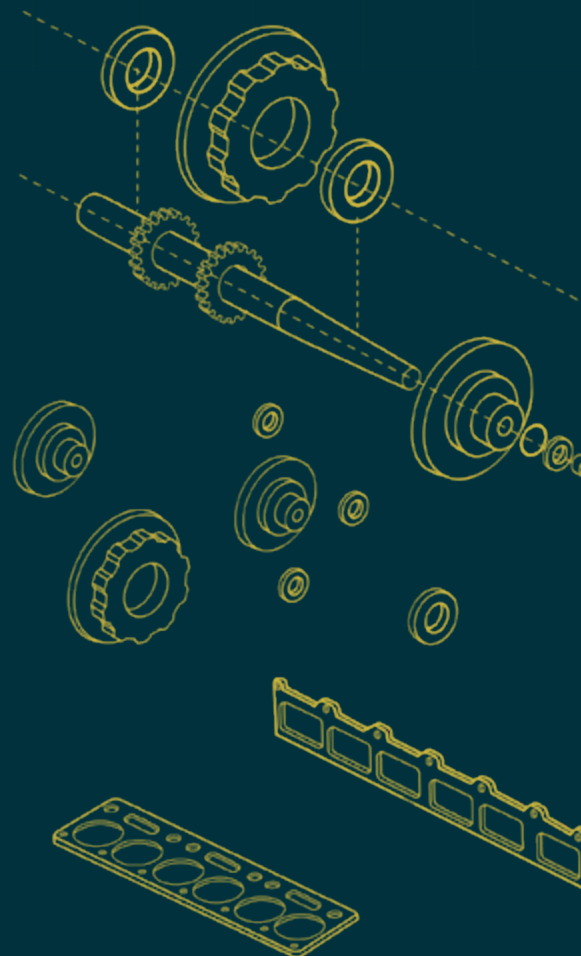
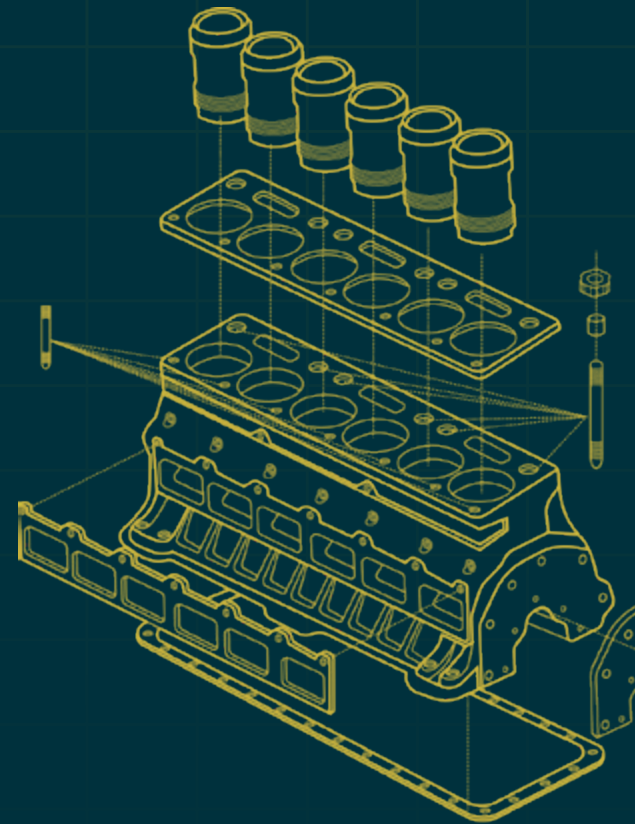
Ask any question, in any way with embeddable, feature-rich, and media-enabled interactives.

Accessibility

Reach more learners with built-in support for audio, visual, UI, and keyboard assistance.

Security & privacy

We keep product, network, and user data safe using multiple layers of enterprise-grade protection.



For more, visit learnosity.com
or email marketing@learnosity.com